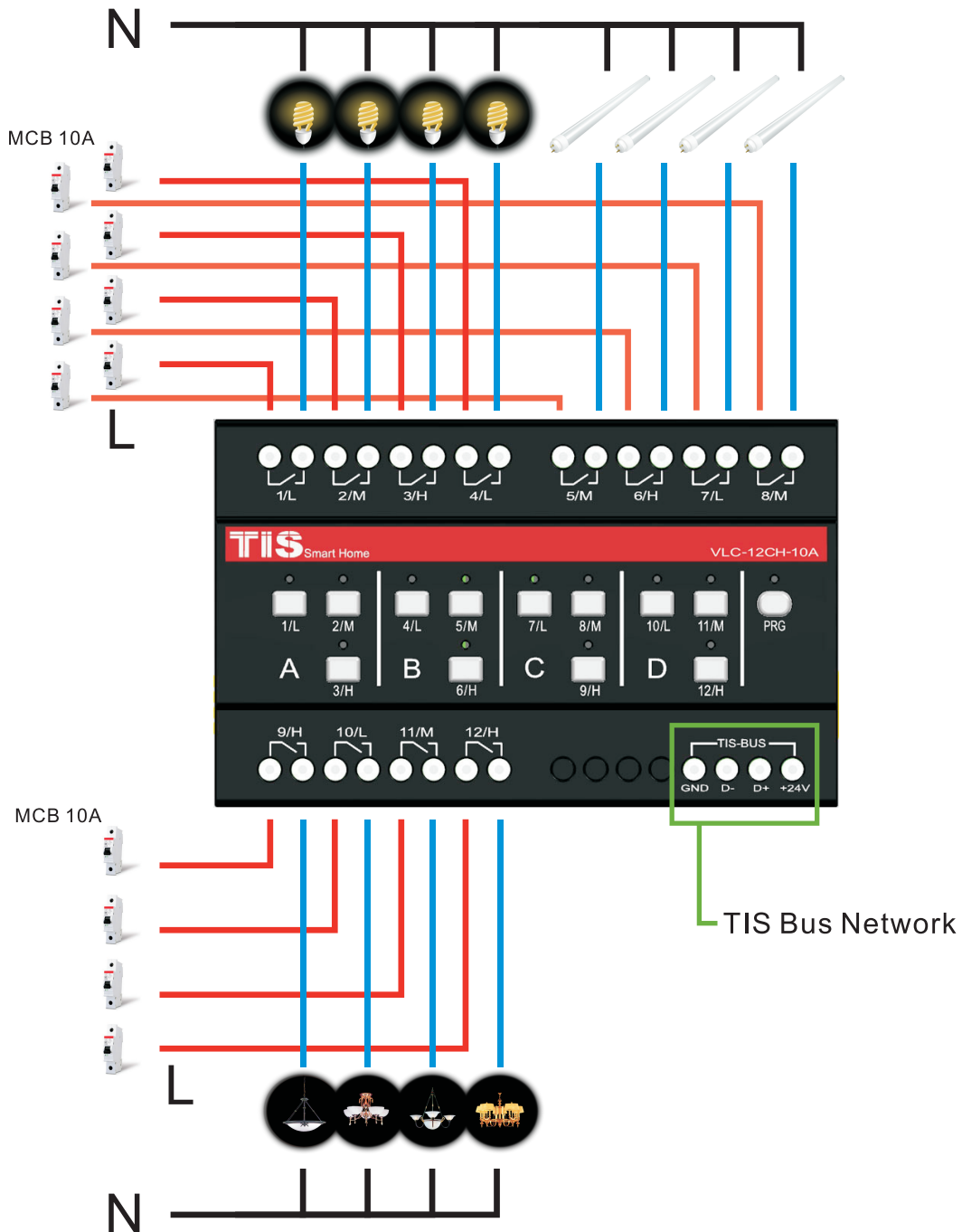


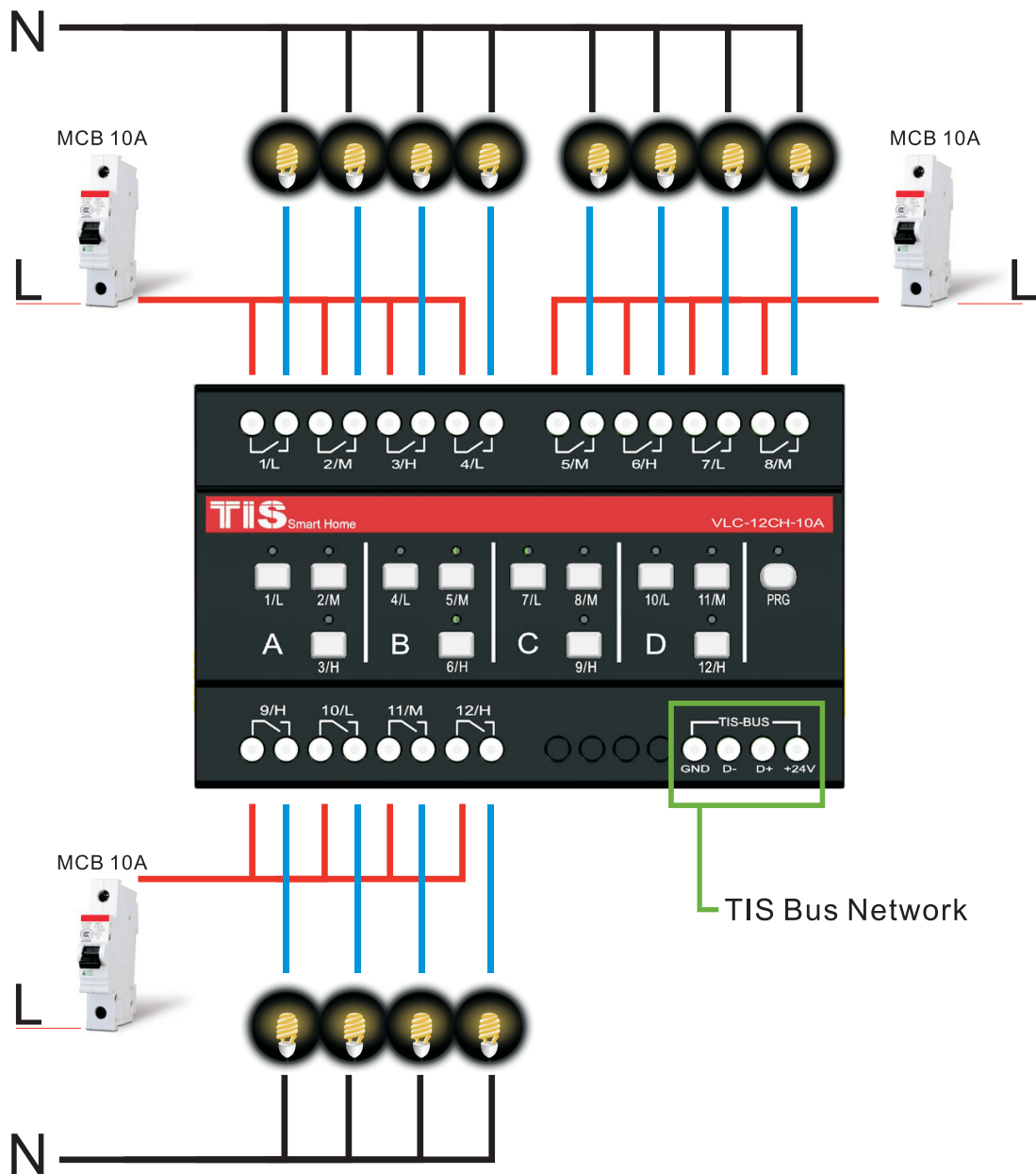
VLC-12CH-10A Connection Diagram Rev 1.1

LIGHTING CONNECTION METHOD 1



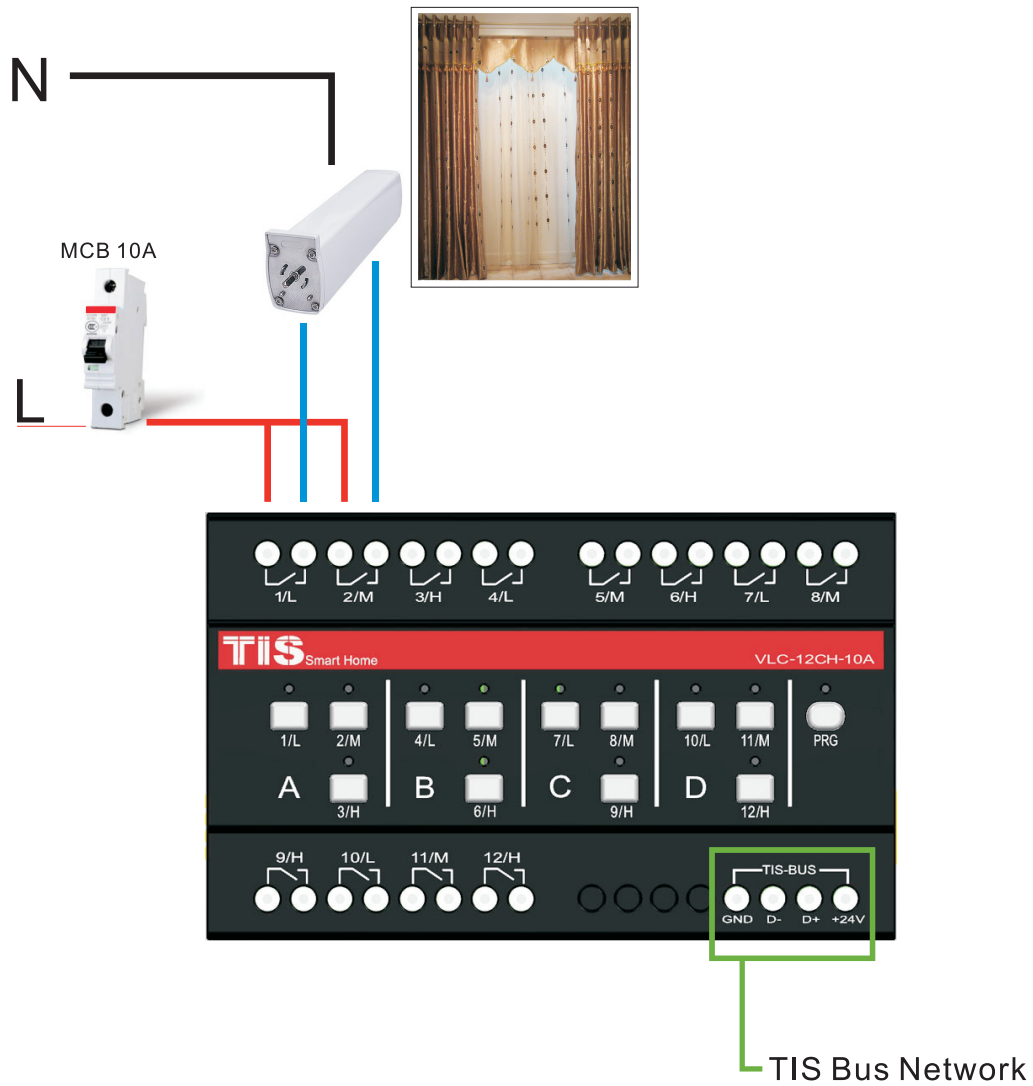
- 2.5 mm electrical wire
- 2.5 mm electrical wire
- 2.5 mm electrical wire
- Cat5e cable

LIGHTING CONNECTION METHOD 2



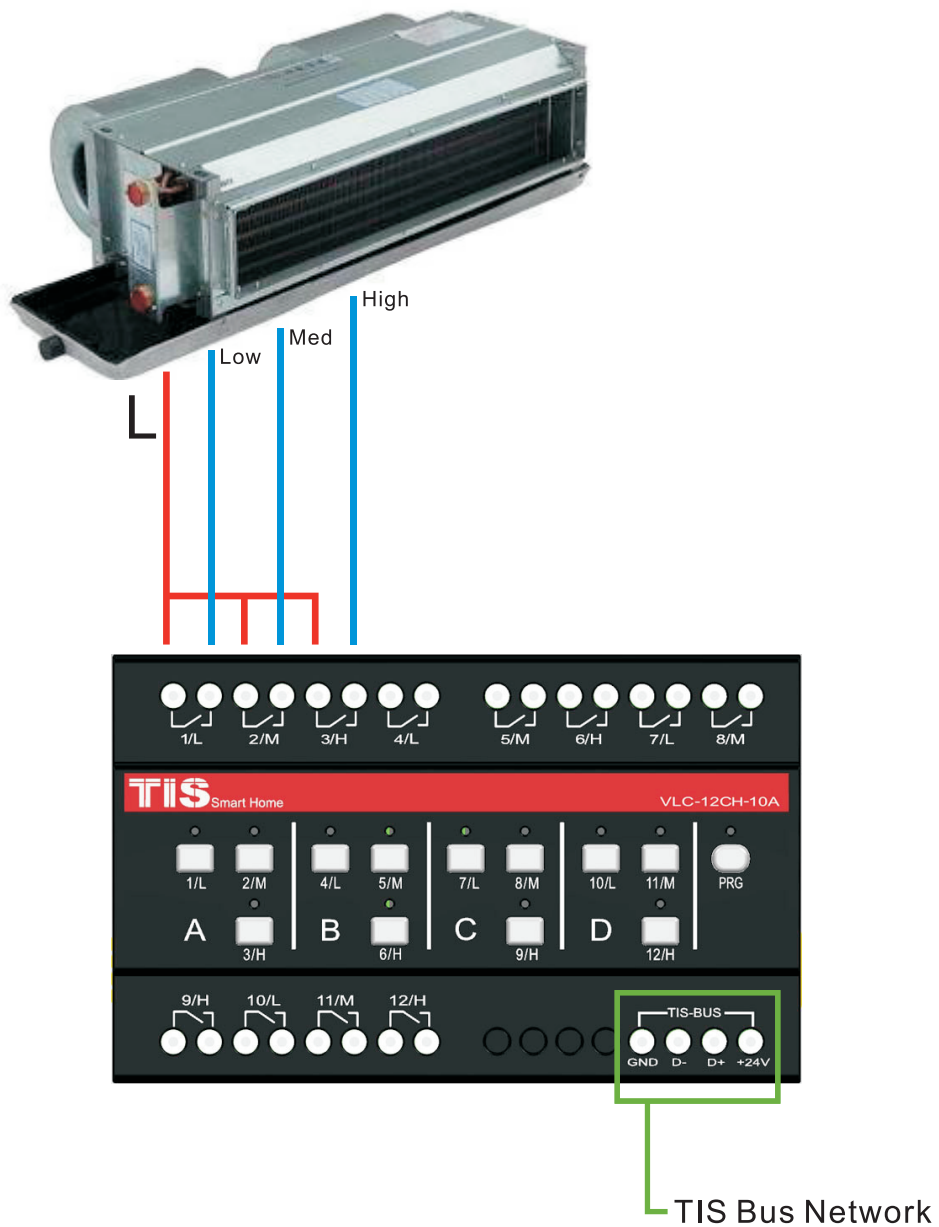
- 2.5 mm electrical wire
- 2.5 mm electrical wire
- 2.5 mm electrical wire
- Cat5e cable

MOTOR / CURTAIN CONNECTION METHOD



- 2.5 mm electrical wire
- 2.5 mm electrical wire
- 2.5 mm electrical wire
- Cat5e cable

FAN SPEED UNIT CONNECTION METHOD



- 2.5 mm electrical wire
- 2.5 mm electrical wire
- Cat5e cable